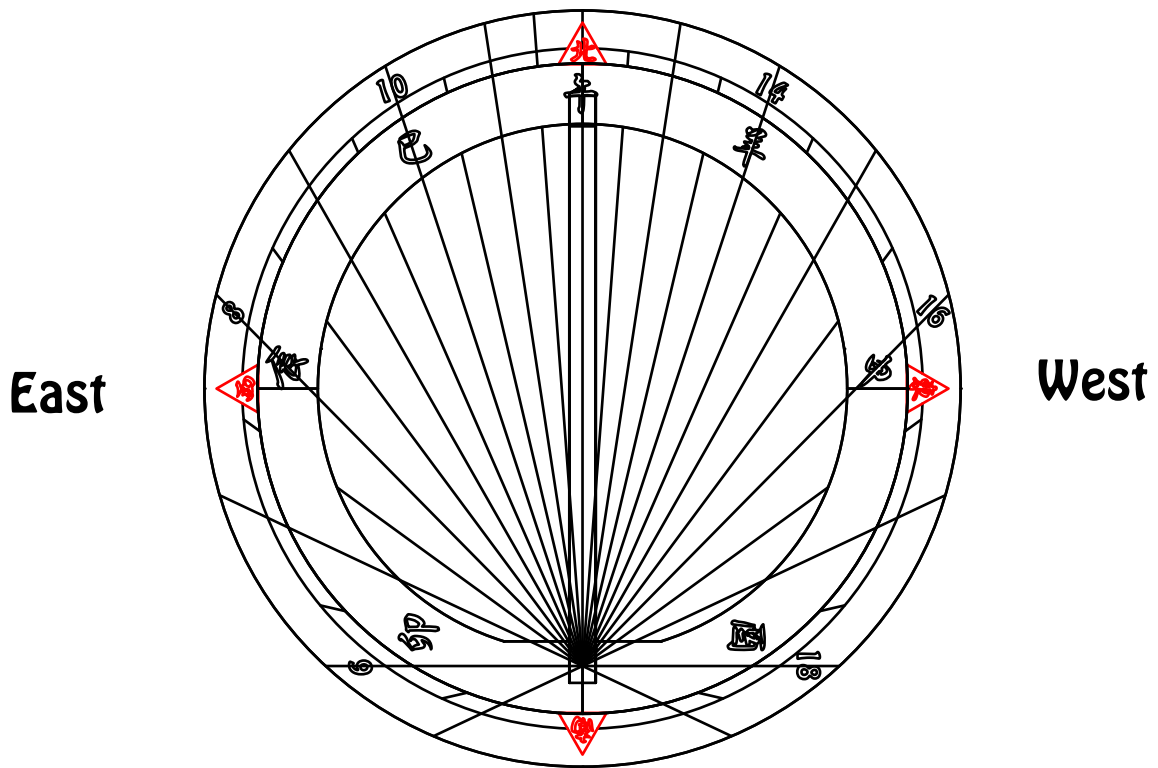


**Placement**

**South**

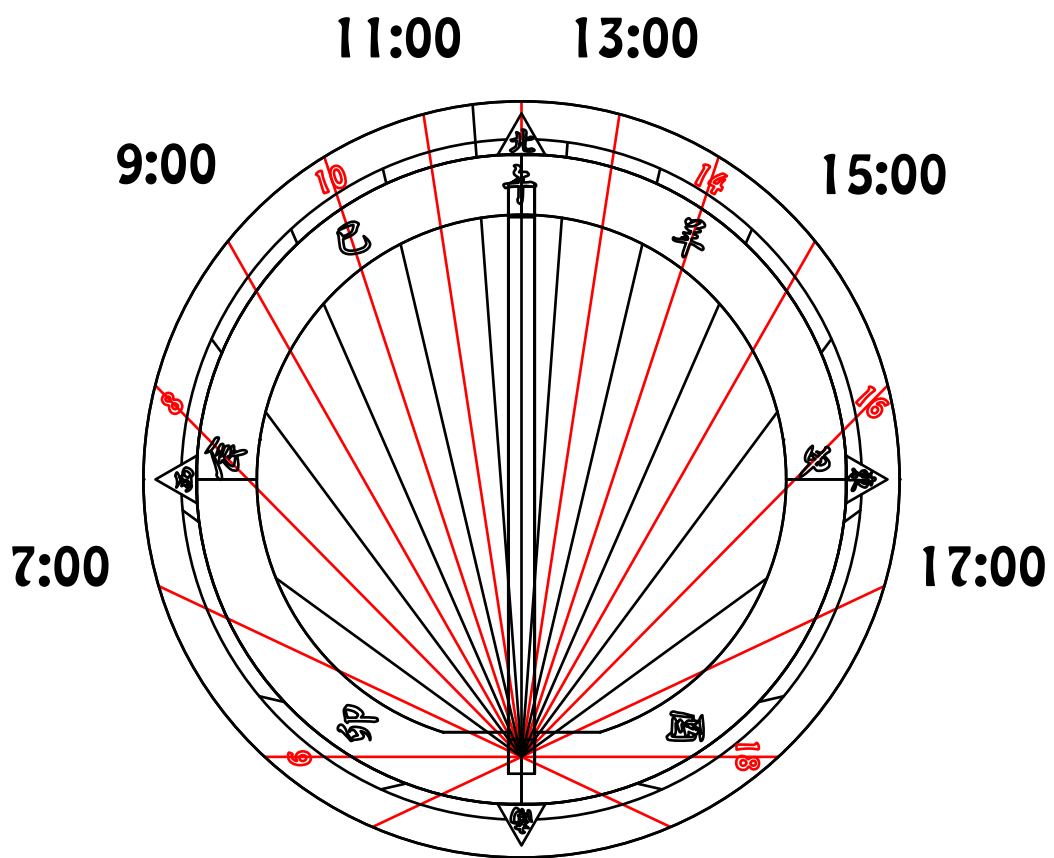


**East**

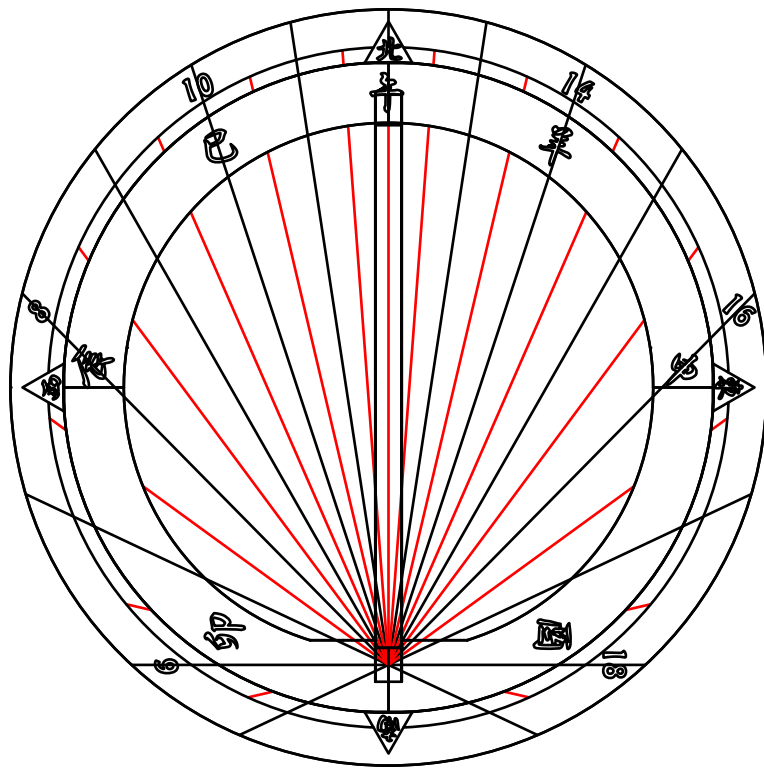
**West**

**North**

**Cardinal Directions**



Hours



**30 minutes**

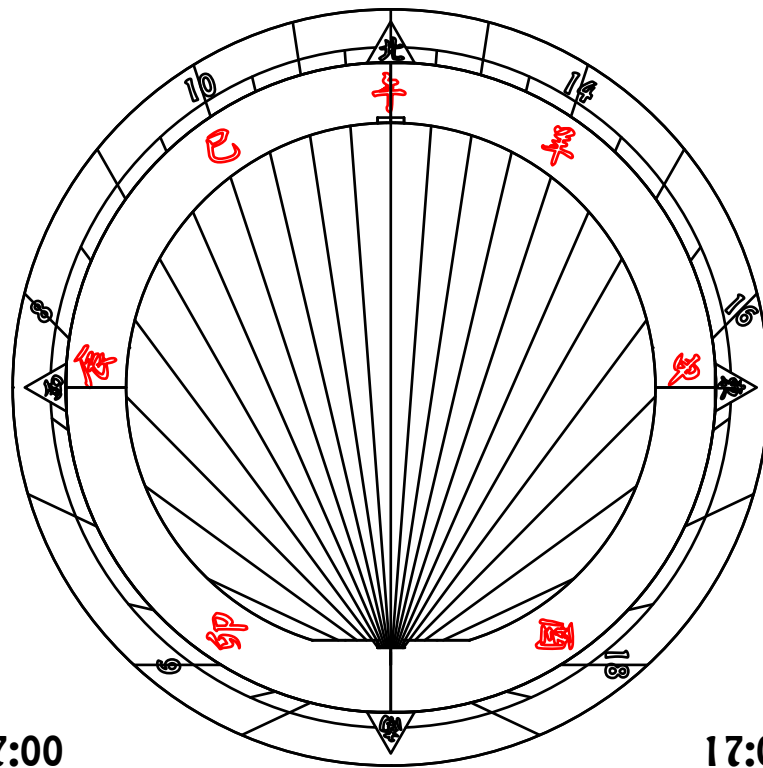
11:00-13:00

9:00-11:00

13:00-15:00

7:00-9:00

15:00-17:00

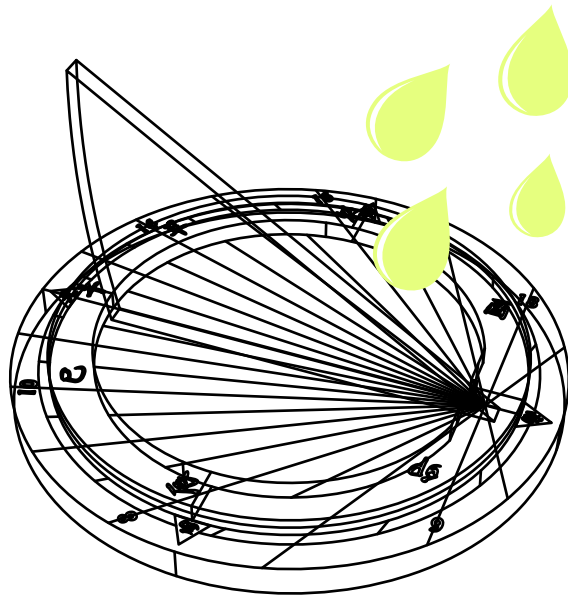


15:00-7:00

17:00-19:00

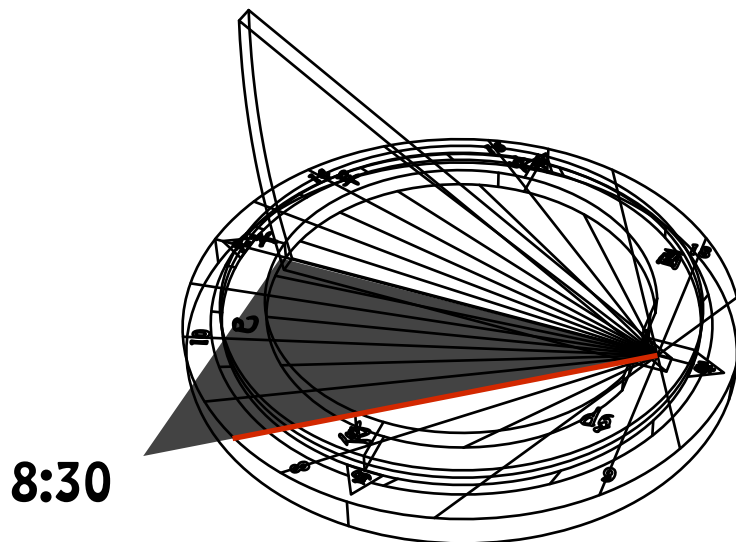
十二辰刻

Time used in pre-modern Japan



## **Maintenance**

**Camellia oil**



### Example

- ※ For region at  $34.7^\circ$  east longitude some errors may be observed in other regions.